

DH-PFA120

Junction Box



Features

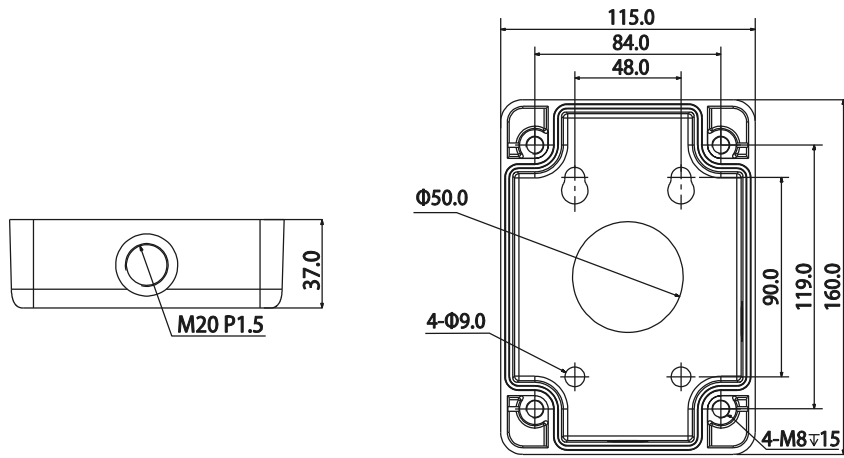
- Material: Aluminum
- Junction Box
- Neat & Integrated design

Specifications

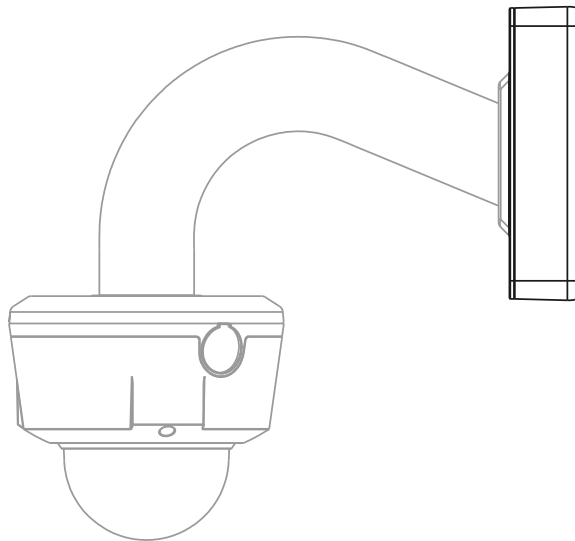
Model	DH-PFA120
General	
Material	Aluminum
Dimension (W x H x D)	115mm(W) x 160mm(H) x 35mm(D)
Pipe Thread	N/A
Operating Temperature	-40°C ~60°C
Humidity	0~90% RH
Load Bearing	N/A
Weight	0.5kg
Applicable Model	PFB300S, PFB300W, PFB301W

DH-PFA120

Dimensions (mm)



Application



*Design and specifications are subject to change without notice.

© 2013 Dahua Technology Co., Ltd.