

DH-IPC-HFW5200E-Z12

2 MP Full HD 12x Network IR-Bullet Camera



Features

- 1/2.8" 2 Megapixel progressive scan CMOS
- 5.1~61.2mm 12x optical zoom
- H.264&MJPEG dual-stream encoding
- Max 25/30fps@1080P(1920x1080)
- WDR, Day/Night(ICR), 3DNR, AWB, AGC, BLC
- Multiple network monitoring: Web viewer, CMS(DSS/PSS) & DMSS
- Built-in 1/1 alarm in/out
- Micro SD memory, IP66, PoE

DH-IPC-HFW5200E-Z12

Technical Specifications

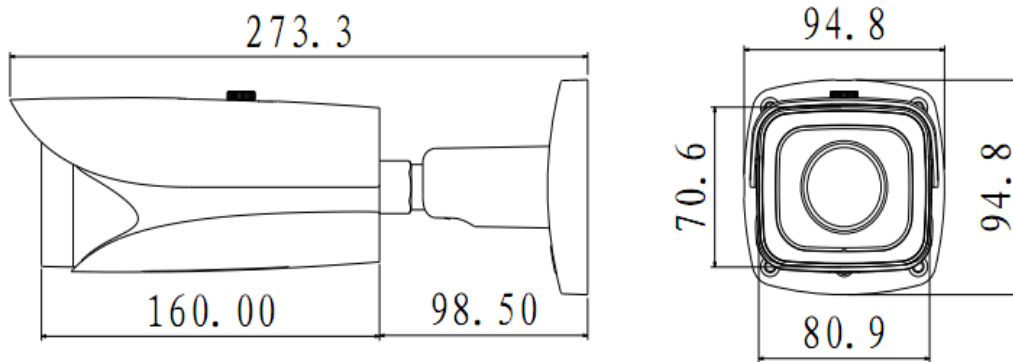
Model	DH-IPC-HFW5200EP-Z12		DH-IPC-HFW5200EN-Z12	
Camera				
Image Sensor	1/2.8" 2Megapixel Exmor CMOS			
Effective Pixels	1920(H)x1080(V)			
Scanning System	Progressive			
Electronic Shutter Speed	Auto/Manual, 1/3~1/10000s		Auto/Manual, 1/4~1/10000s	
Min. Illumination	0.05Lux/F1.6(Color), 0Lux/F1.6(IR ON)			
S/N Ratio	More than 50dB			
Video Output	1 port			
Camera Features				
Max. IR LEDs Length	100m			
Day/Night	Auto(ICR) / Color / B/W			
Backlight Compensation	BLC / HLC / WDR			
White Balance	Auto/Manual			
Gain Control	Auto/Manual			
Noise Reduction	3D			
Privacy Masking	Up to 8 areas			
Lens				
Focal Length	5.1mm~61.2mm(12x optical zoom)			
Max Aperture	F1.6~F3.0			
Focus Control	Manual/Auto			
Angle of View	H: 51.3°~4.64°			
Lens Type	motorized/ Auto Iris(DC)			
Mount Type	Board-in Type			
Close Focus Distance	100mm~1000mm			
Varifocal Speed	3.8S			
Video				
Compression	H.264/MJPEG			
Resolution	1080P(1920×1080)/720P(1280×720) /D1(704×576) /CIF(352×288)			
Frame Rate	Main Stream	1080P (1~25/30fps)		
	Sub Stream	D1/CIF(1 ~ 25/30fps)		
Bit Rate	H.264: 32K ~ 8192Kbps			
Audio				
Compression	G.711a / G.711u			
Interface	1/1 channel In/Out			
Network				
Ethernet	RJ-45 (10/100/1000Base-T)			
Wi-Fi	N/A			
Protocol	IPv4/IPv6, HTTP, HTTPS, SSL, TCP/IP, UDP, UPnP, ICMP, IGMP, SNMP, RTSP, RTP, SMTP, NTP, DHCP, DNS, PPPOE, DDNS, FTP, IP Filter, QoS, Bonjour			
Compatibility	ONVIF, PSIA, CGI			

DH-IPC-HFW5200E-Z12


Max. User Access	20 users
Smart Phone	iPhone, iPad, Android, Windows Phone
Auxiliary Interface	
Memory Slot	Micro SD, Max 64GB
Alarm	1/1 channel In/Out
General	
Power Supply	DC12V(AC24V optional), PoE (802.3af)
Power Consumption	Max 15W
Working Environment	-30°C~+60°C, less than 95% RH
Ingress Protection	IP66
Dimensions	273.3mm × 94.8mm × 94.8mm
Weight	1.3kg

DH-IPC-HFW5200E-Z12

Dimensions (mm)



Accessory (optional)

		
PFA121	PFA152	PFA151

*Design and specifications are subject to change without notice.

© 2014 Dahua Technology Co., Ltd.